

SOLID STATE RELAY

FEATURES

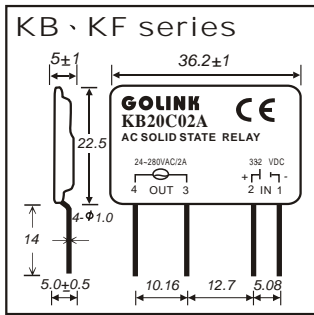
- ✓ High reliability & Long life
- ✓ Safety, no switching sparks & contact points
- ✓ Low input power consumption
- ✓ No noise & mechanical Damage
- ✓ Needs no need mechanical motion, electronic devices
- ✓ Fast reaction, fits in high frequency motions



SERIES	Model NO.	Max. Load CURRENT	Load Voltage	Blocking Voltage	Input Control Voltage	Must Turn Off Voltage
KB  DC → AC	KB20C02A	02A, 03A, 04A, 06A	24-280VAC	600VAC _{PEAK}	3-32VDC	1VDC
	KB40C04A	04A, 06A	24-480VAC	1200VAC _{PEAK}		
IO-  DC → AC	IO-2-20C02A	1/2 / 4 / 8 ports 02A, 04A	24-280VAC	600VAC _{PEAK}	3-32VDC	1VDC
	IO-4-40C04A	1/2 / 4 / 8 ports 02A, 04A	24-480VAC	1200VAC _{PEAK}		
KD  DC → AC	KD20C25AX	10A, 25A, 40A, 50A, 75A, 90A, 100A	24-280VAC	600VAC _{PEAK}	4-32VDC	1VDC
KD  DC → AC	KD40C75AX	10A, 25A, 40A, 50A, 75A, 90A, 100A	48-480VAC	1200VAC _{PEAK}	4-32VDC	1VDC
KF  DC → DC	KF0602D KF0604D	2A 4A	3-60VDC	80VDC	3-32VDC	1VDC
IO-X  DC → AC	IO-2-0602D	1/2 / 4 / 8 ports 02A	3-60VDC	80VDC	3-32VDC	1VDC
	IO-4-0604D	1/2 / 4 / 8 ports 04A	3-60VDC	80VDC		
KG  DC → DC	KG1005D	05, 10, 25, 40, 50, 75	5-120VDC	140VDC	3-32VDC	1VDC
	KG2075D	10, 25, 40, 50, 75	5-240VDC	300VDC		
KL  AC → AC	KL20C40AX	10A, 25A, 40A, 50A, 75A, 90A, 100A	24-280VAC	600VAC _{PEAK}	80-280VAC	10VAC
KL  AC → AC	KL40C90AX	10A, 25A, 40A, 50A, 75A, 90A, 100A	48-480VAC	1200VAC _{PEAK}	80-280VAC	10VAC
KR  VR → AC	KR2025AX	10A, 25A, 40A	24-280VAC	600VAC _{PEAK}	VR500KW	Phase Control
	KR4040AX	25A, 40A	48-480VAC	1200VAC _{PEAK}	VR1M W	
NEW!  KC	KC2025AX	10, 25, 40, 50, 75, 90A	200-250VAC	600VAC _{PEAK}	4-20mA or 0-10VDC	Analog Switching
	KC4075AX	10, 25, 40, 50, 75, 90A	300-480VAC	1200VAC _{PEAK}		
3 PHASE - SOLID STATE RELAY						
 Heater Load DC → AC		Load Current	Load Voltage	Blocking Voltage	Control Voltage	Must Turn off Voltage
	K3PH20C25DA	25A, 40A, 50A, 75A, 90A, 100A	24-280VAC	600VAC	6-32VDC	3VDC
	K3PH40C75DA	25A, 40A, 50A, 75A, 90A, 100A	48-480VAC	1200VAC	12-32VDC	9.5VDC
 Heater Load AC → AC	K3PH20C25AA	25A, 40A, 50A, 75A, 90A, 100A	28-280VAC	600VAC	80-280VAC	10VAC
	K3PH40C75AA	25A, 40A, 50A, 75A, 90A, 100A	48-480VAC	1200VAC	80-280VAC	10VAC
 Inductive Load	K3PI20C25DA	25A, 40A, 50A, 75A, 90A, 100A	28-280VAC	600VAC	6-32VDC	3VDC
	K3PI40C40DA	25A, 40A, 50A, 75A, 90A, 100A	48-480VAC	1200VAC	12-32VDC	9.5VDC
	K3PI20C75AA	25A, 40A, 50A, 75A, 90A, 100A	28-280VAC	600VAC	80-280VAC	10VAC
	K3PI40C90AA	25A, 40A, 50A, 75A, 90A, 100A	48-480VAC	1200VAC	80-280VAC	10VAC

SOLID STATE RELAY & Accessories

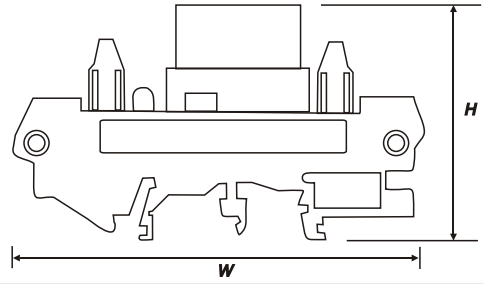
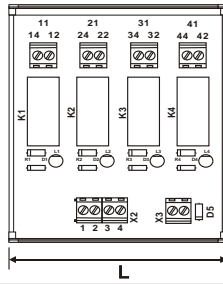
Outline Dimension (Unit: mm)



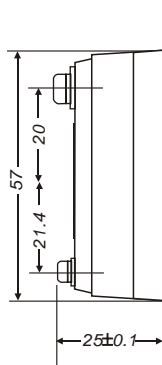
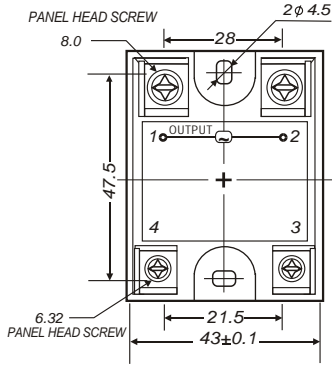
IO-X series

Note): X=2PORT / 4PORT / 8PORT

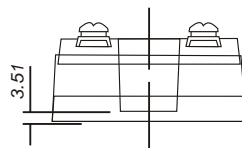
Model No.	Dimension (LxWxH)mm
IO-2-20C04A	34x85x51
IO-4-20C04A	64x85x51
IO-8-20C04A	124x85x51
IO-2-0604D	34x85x51
IO-4-0604D	64x85x51
IO-8-0604D	124x85x51



KD · KG · KL · KR series

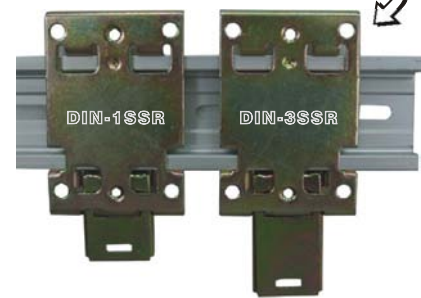


Option Accessory Model: **SC-1**
Safety Cover



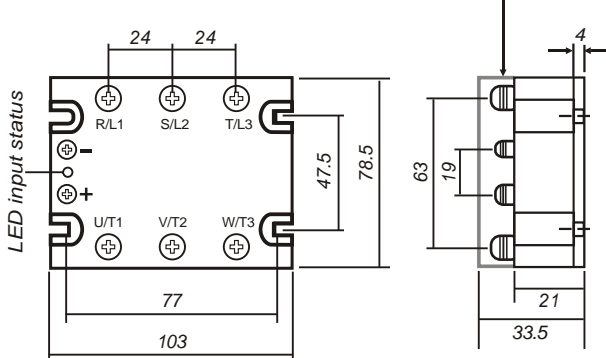
Option Accessory Model: **DIN-1SSR**
Model: **DIN-3SSR**

(Bracket for DINRAIL mounting)



K3PH · K3PI series

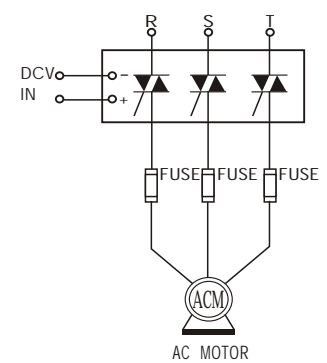
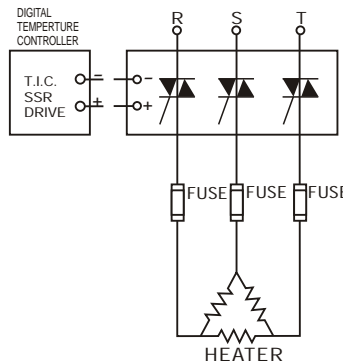
(Standard Package with Safety Cover included)



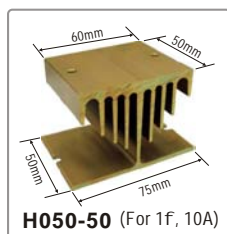
Example of 3 SSR Application

K3PH - series

K3PI - series



HEAT SINK



Model No.	For 1F SSR	Model No.	For 1F SSR	Model No.	For 1F SSR	Model No.	For 3F SSR	Model No.	For 3F SSR
H060-50	10A - 15A	H080-50	25A	H100-45	10A	H104-104	25A-40A	H197-100	25A, 40A
H060-80	25A	H080-100	40A	H100-70	25A	H104-104F	40A-50A		
H060-100	40A	H080-150	50A	H100-100	40A	H104-120F	50A-75A		
H060-120	50A			H100-120	50A	H104-150F	75A-100A		
H060-150	75A			H100-150	75A, 100A	"F" with fan (110V or 220Vac)			