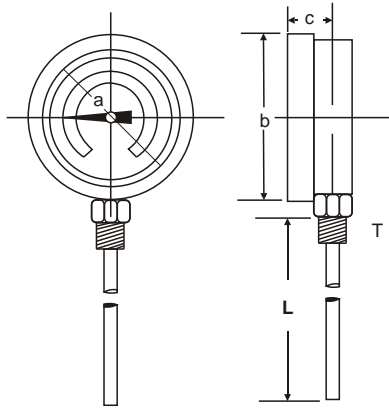


Bi-Metal Dial Thermometers



BS



General Specification

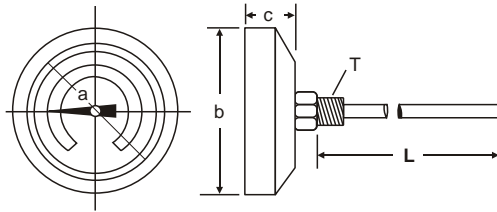
- **Material:** Stainless Steel #304 for case and stem.
(Option for SS#316 available)
- **Thread:** 2~3" Dial with 1/4" PT, 4~6" Dial with 1/2" PT or as specified.
- **Accuracy:** $\pm 1\%$ of Full Scale.
- **Ranges:** $\pm 50^{\circ}\text{C}/^{\circ}\text{F}$ to $0 \sim 500^{\circ}\text{C}/^{\circ}\text{F}$ (as order)
- Anti-Parallax Sealed Glass window and white Dial with black scales.

(Dimension Unit: mm)

Model No. BS				
Case	a	b	c	T
3"	74	85	50	1/4"PT
4"	100	118	50	1/4"PT
5"	110	127	50	1/2"PT
6"	140	162	50	1/2"PT

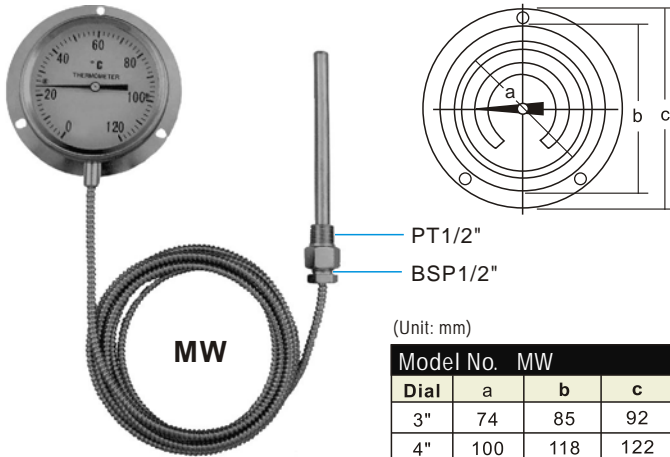


BL



Model No. BL				
Case	A	B	C	T
2"	50	58	15	1/4"PT
3"	74	83	15	1/4"PT
4"	100	115	18	1/2"PT
5"	110	127	18	1/2"PT
6"	140	162	28	1/2"PT

Remote Reading Thermometer - Wall Mounting

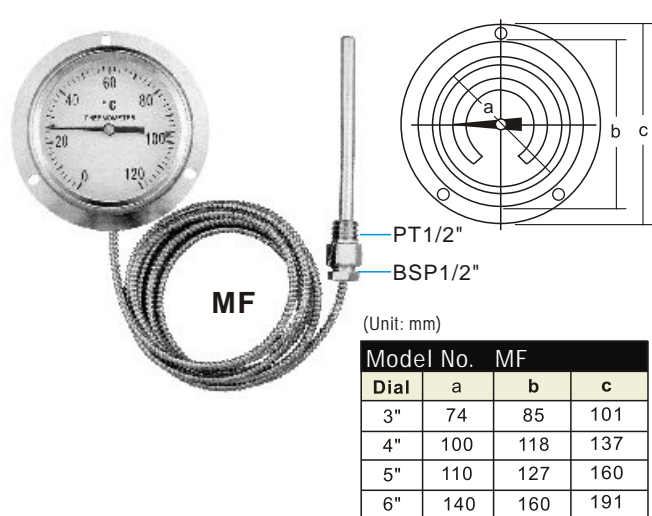


MW

(Unit: mm)

Model No. MW			
Dial	a	b	c
3"	74	85	92
4"	100	118	122
5"	110	127	145

Remote Reading Thermometer - Flush Mounting



MF

(Unit: mm)

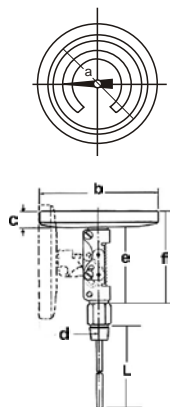
Model No. MF			
Dial	a	b	c
3"	74	85	101
4"	100	118	137
5"	110	127	160
6"	140	160	191

General Specification

- Case & Stem Material: SS304
- Accuracy: $\pm 1.0\%$ of Full Scale
- Temperature Range: $\pm 50^{\circ}\text{C}/^{\circ}\text{F}$ or $0 \sim 650^{\circ}\text{C}$ (As order)
- Stem Diameter & Length: Standard is Dia. 12 ϕ and Length 6" long
- Capillary Length: 3M (Option for max. 10M)
- Standard Connection: 1/2" BSP x 1/2" PT



BA



Adjustable Angle Type

- **Dial:** 3", 4", 5", 6"
- **Material:** Stainless Steel #304 for case and stem. (Option for SS#316 available)
- **Stem Dia.:** 6.35 ~ 9.5mm is available
- **Thread:** Dial 3" with PT1/4" and others with PT1/2" or as order.
- **Accuracy:** $\pm 1\%$ of Full Scale.
- **Ranges:** $\pm 50^{\circ}\text{C}/^{\circ}\text{F}$ to $0 \sim 500^{\circ}\text{C}/^{\circ}\text{F}$ (as order)
- Anti-Parallax Sealed Glass window and white Dial with black scales.

Model No. BA					
Dial	a	b	c	e	f
3"	74	85	18	65	83
4"	100	118	21	65	86
5"	110	127	18	65	83
6"	140	162	25	65	90